



# hanit® Ultra ECLIPSE 1 BENCH

Made of hanit® Ultra

The unusually shaped Eclipse is made of hanit® Ultra and available in two lengths: 200 cm and 150 cm. The higher than average seat height (49 cm) provides comfortable seating, particularly for senior citizens. Exceptional strength and durability combined with good looks and comfort for all. You're welcome!

**Material:**

hanit® Recycled Plastic

**Surface:**

Structured, grained

**Dimensions (W x D x H):**

150 x 60 x 89 cm

**Seat height:**

49 cm

**Weight:**

80 kg

**Slats:**

hanit® Ultra type

6 bench boards 150 x 10 x 5 cm

**Advantages:**

- Durable and dimensionally stable
- Never paint, varnish or grind again
- No risk of injury from splinters
- No annoying mothballing in winter (weatherproof)
- Fast drying, no water absorption
- Resistant to vandalism

**Optional:**

- Ground anchor type 1



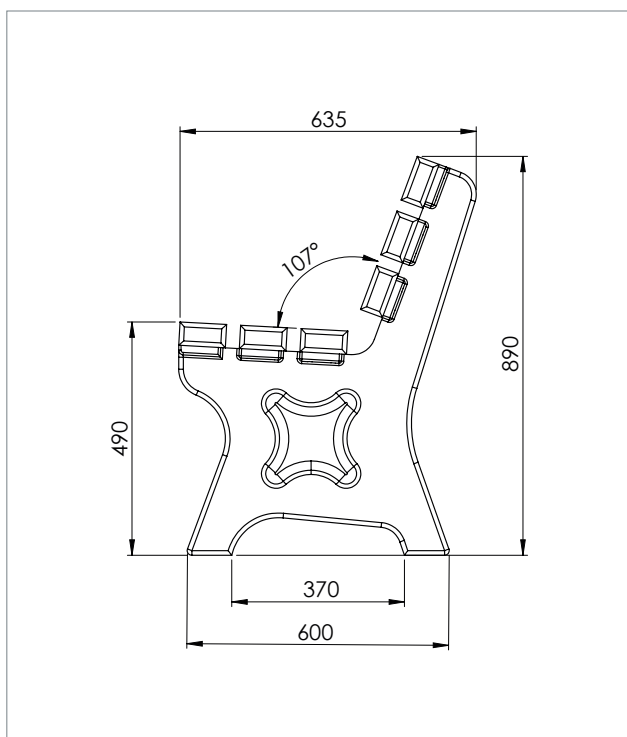
 Black-Brown

 Black





TECHNICAL DRAWING



TECHNICAL DATA

Eclipse 1 bench, width: 150 cm

Colour	Dimensions W x D x H (approx. cm)	Weight (approx. kg)	Order No
■ Black-Brown	150 x 60 x 89	80.0	INT 170 MBR
■ Black	150 x 60 x 89	80.0	INT 170 BLK

Benches and tables are delivered as a kit. Assembly instruction and materials are included.



FURTHER DOCUMENTS PLEASE SEE [WWW.HANIT.DE](http://WWW.HANIT.DE)

- » Assembly Instruction
- » Tender Specifications
- » Tests and Certificates
- » General Material Remarks

