



hanit® SAPO BENCH WITHOUT BACK

Impressively simple

It's sometimes better to let people decide which way to sit: the Sapo without back rest gives people that freedom. With the same curved seat and elegant galvanized steel legs, the back-free Sapo is a very useful addition to the set.

Material:

hanit® Recycled Plastic
Galvanized steel

Surface:

Structured, grained

Dimensions (W x D x H):

200 x 45 x 45 cm

Seat height:

45 cm

Weight:

52 kg

Slats:

Classic type
3 bench boards 200 x 14 x 4 cm
Internal reinforcement

Bench feet:

Galvanized steel

Mounting:

To be assembled using dowels

Advantages:

Durable and dimensionally stable
Never paint, varnish or grind again
No risk of injury from splinters
No annoying mothballing in winter (weatherproof)
Fast drying, no water absorption
Resistant to vandalism

Optional:

Ground anchor type 1



 Brown



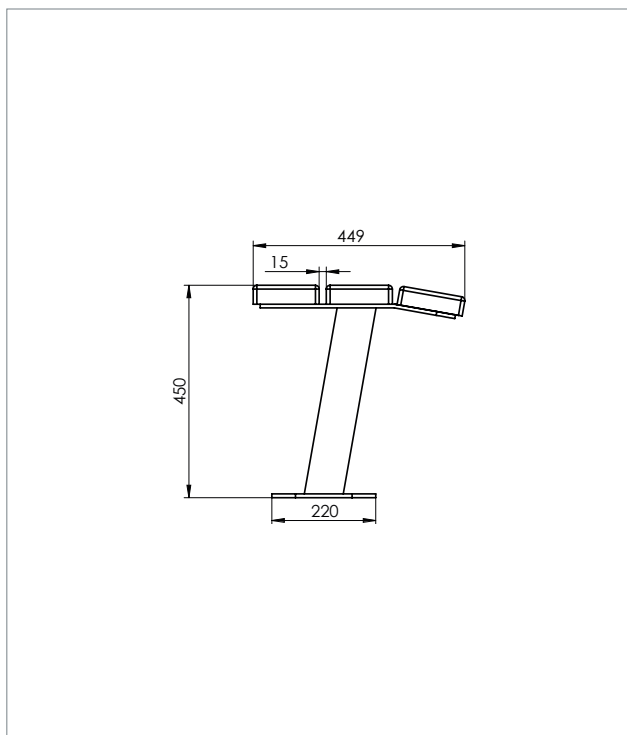
www.blauer-engel.de/uz30a

 MADE IN GERMANY

HAHN
KUNSTSTOFFE



TECHNICAL DRAWING



TECHNICAL DATA

Width: 200 cm			
Colour	Dimensions W x D x H (approx. cm)	Weight (approx. kg)	Order No
■ Brown	200 x 45 x 45	52.0	BOA 14 200

Benches and tables are delivered as a kit. Assembly instruction and materials are included.

FURTHER DOCUMENTS PLEASE SEE WWW.HANIT.DE

- » Assembly Instruction
- » Tender Specifications
- » Tests and Certificates
- » General Material Remarks

