



## hanit® Ultra ECLIPSE 2 BENCH

Made of hanit® Ultra

The unusually shaped Eclipse is made of hanit® Ultra and available in two lengths: 200 cm and 150 cm. The higher than average seat height (49 cm) provides comfortable seating, particularly for senior citizens. Exceptional strength and durability combined with good looks and comfort for all. You're welcome!

### Material:

hanit® Recycled Plastic

### Surface:

Structured, grained

### Dimensions (W x D x H):

200 x 60 x 89 cm

### Seat height:

49 cm

### Weight:

113 kg

### Slats:

hanit® Ultra type

6 bench boards 200 x 10 x 5 cm

### Advantages:

Durable and dimensionally stable

Never paint, varnish or grind again

No risk of injury from splinters

No annoying mothballing in winter (weatherproof)

Fast drying, no water absorption

Resistant to vandalism

### Optional:

Ground anchor type 1



 Black-Brown

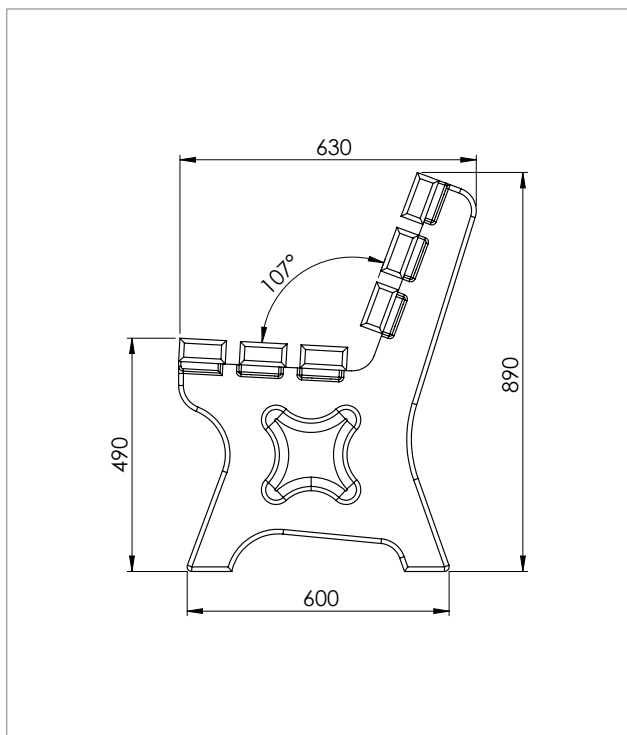
 Black



 MADE IN  
GERMANY



TECHNICAL DRAWING



TECHNICAL DATA

Eclipse 2 bench, width: 200 cm			
Colour	Dimensions W x D x H (approx. cm)	Weight (approx. kg)	Order No
■ Black-Brown	200 x 60 x 89	113.0	INT 171 MBR
■ Black	200 x 60 x 89	113.0	INT 171 BLK

Benches and tables are delivered as a kit. Assembly instruction and materials are included.

FURTHER DOCUMENTS PLEASE SEE [WWW.HANIT.DE](http://WWW.HANIT.DE)

- » Assembly Instruction
- » Tender Specifications
- » Tests and Certificates
- » General Material Remarks

