



hanit® SAPO BENCH

Modern bench design at its best

The Sapo model is all about subtle design: modern lines with a slightly curved seat. It's supported by just two elegant galvanised steel legs and the back rest is slightly narrower than the seat. The Sapo is as cool and stylish as it comes.

Material:

hanit® Recycled Plastic
Galvanized steel

Surface:

Structured, grained

Dimensions (W x D x H):

200 x 61 x 90 cm

Seat height:

45 cm

Weight:

90 kg

Slats:

Classic type
3 bench boards 200 x 14 x 4 cm
3 back boards 180 x 14 x 4 cm
Internal reinforcement

Bench feet:

Galvanized steel

Mounting:

To be assembled using dowels

Advantages:

Durable and dimensionally stable
Never paint, varnish or grind again
No risk of injury from splinters
No annoying mothballing in winter (weatherproof)
Fast drying, no water absorption
Resistant to vandalism

Optional:

Ground anchor type 1



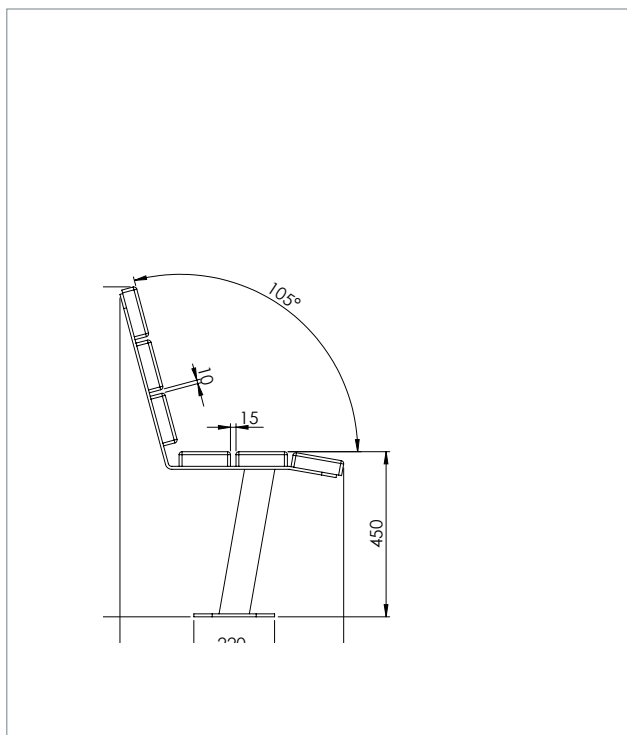
 *Brown*

DBLBOB14200DEEN0519





TECHNICAL DRAWING



TECHNICAL DATA

Width: 200 cm

Colour	Dimensions W x D x H (approx. cm)	Weight (approx. kg)	Order No
■ Brown	200 x 61 x 90	90.0	BOB 14 200

Benches and tables are delivered as a kit. Assembly instruction and materials are included.



FURTHER DOCUMENTS PLEASE SEE WWW.HANIT.DE

- » Assembly Instruction
- » Tender Specifications
- » Tests and Certificates
- » General Material Remarks

HAHN
KUNSTSTOFFE